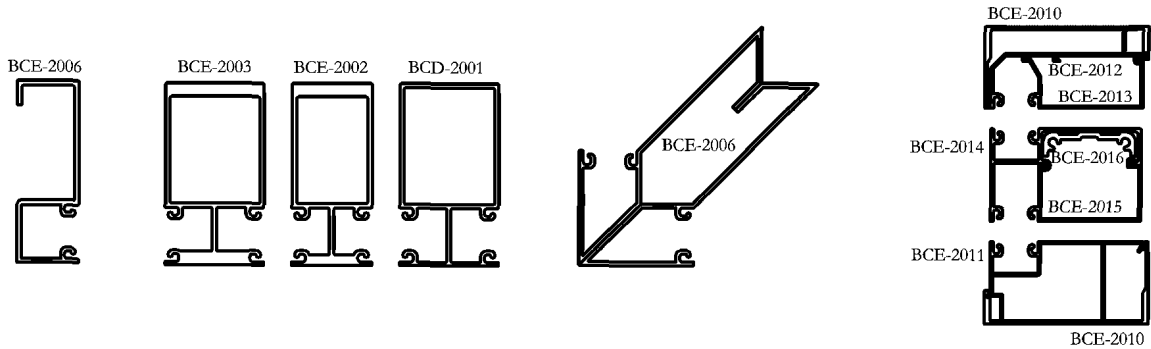


1/4 SIZE DETAILS



GASKETS

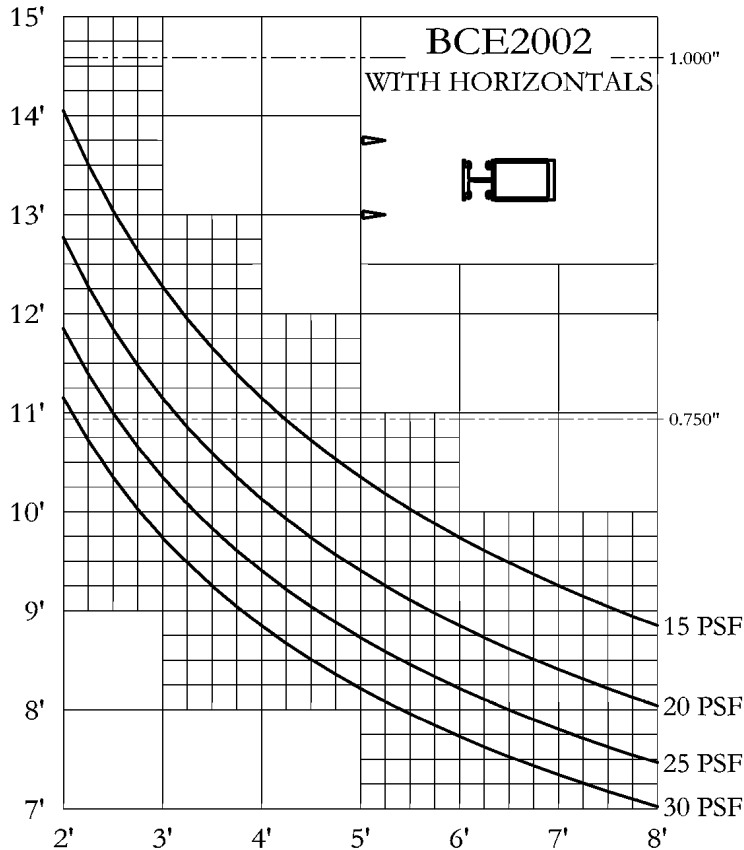
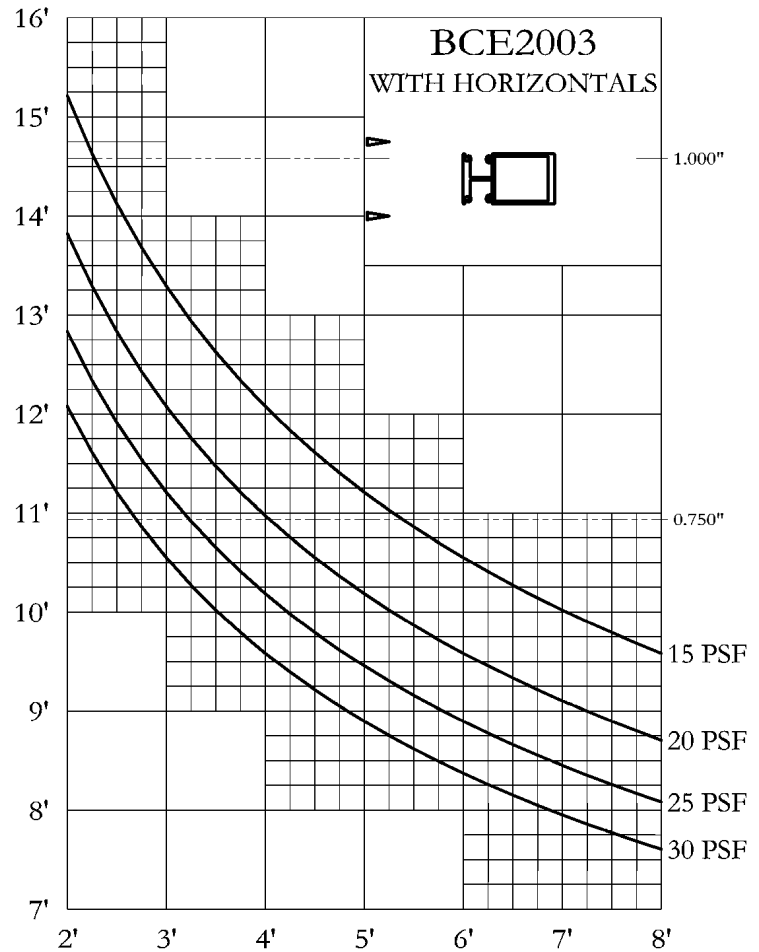
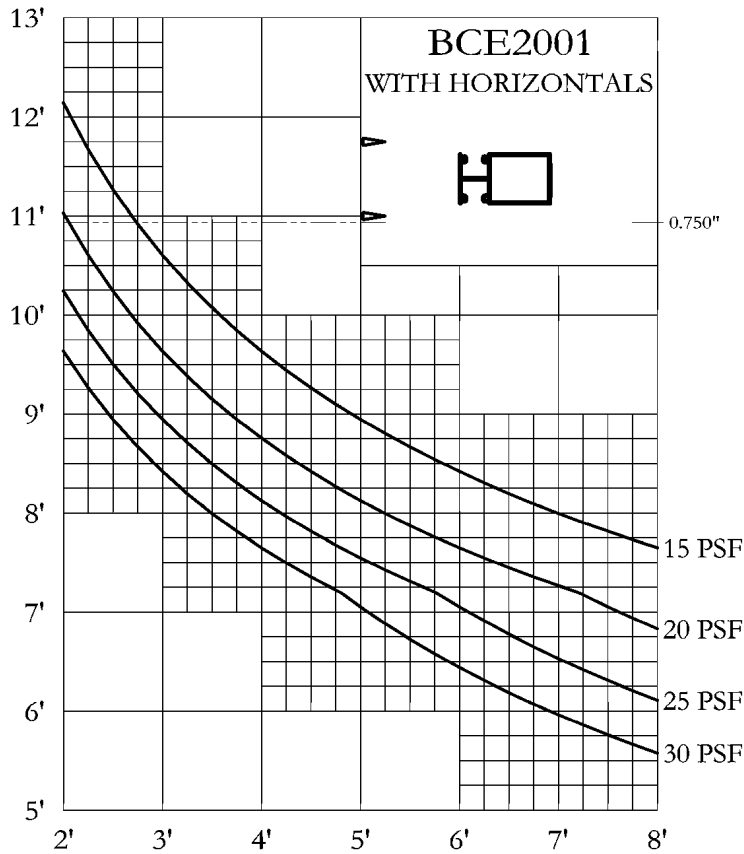
UNIVERSAL RUBBER COMPANY 1-800-782-2375	2028	INTERIOR AND EXTERIOR GASKET
REED RUBBER PRODUCTS 1-800-325-9698	3734 4893	INTERIOR AND EXTERIOR GASKET ALTERNATIVE
TREMCO 1-800-321-6357	TR-2062E	INTERIOR AND EXTERIOR GASKET

NO TEST DATA AVAILABLE
 TREDEGAR EXTRUSIONS INC. DOES NOT MAKE ANY WARRANTY EXPRESS OR IMPLIED INCLUDING
 NO WARRANTY OF MERCHANTABILITY OR FITNESS FOR A PARTICULAR PURPOSE AND RESERVES
 THE RIGHT TO MAKE CHANGES
 REPRODUCTION RIGHTS RESERVED

PRICING FACTORS
3 11/16" CAN SYSTEM
BCE-2000 SERIES



WEIGHT PER FT	EST PER	FACTOR	CAVITY AREA	PART NUMBER	STRUCTURAL VALUES			1/8 SIZE DETAILS	
					X-X	I	Y-Y		
1.310	18.480	20	N/A	BCE2001	0.596	I 1.762	0.596	S 0.884	
1.782	16.399	13	N/A	BCE2002	0.455	I 2.730	0.560	S 1.420	
2.100	17.708	12	N/A	BCE2003	0.770	I 3.467	0.770	S 1.879	
0.928	16.854	18	N/A	BCE2005	0.169	I 1.299	0.234	S 0.674	
1.038	22.092	21	N/A	BCE2006	1.578	I 1.500	0.652	S 0.715	
0.649	15.382	24	N/A	BCE2010	1.374	I 0.132	0.600	S 0.081	
0.683	19.073	28	N/A	BCE2011	0.160	I 0.825	0.120	S 0.354	
0.468	13.137	28	N/A	BCE2012	0.081	I 0.660	0.078	S 0.288	
0.390	11.301	29	N/A	BCE2013	0.052	I 0.378	0.057	S 0.263	
0.901	18.505	21	N/A	BCE2014	0.288	I 1.189	0.177	S 0.509	
0.474	12.375	26	N/A	BCE2015	0.100	I 0.436	0.094	S 0.309	
0.553	7.115	13	N/A	BCE2016	0.009	I 0.287	0.023	S 0.253	



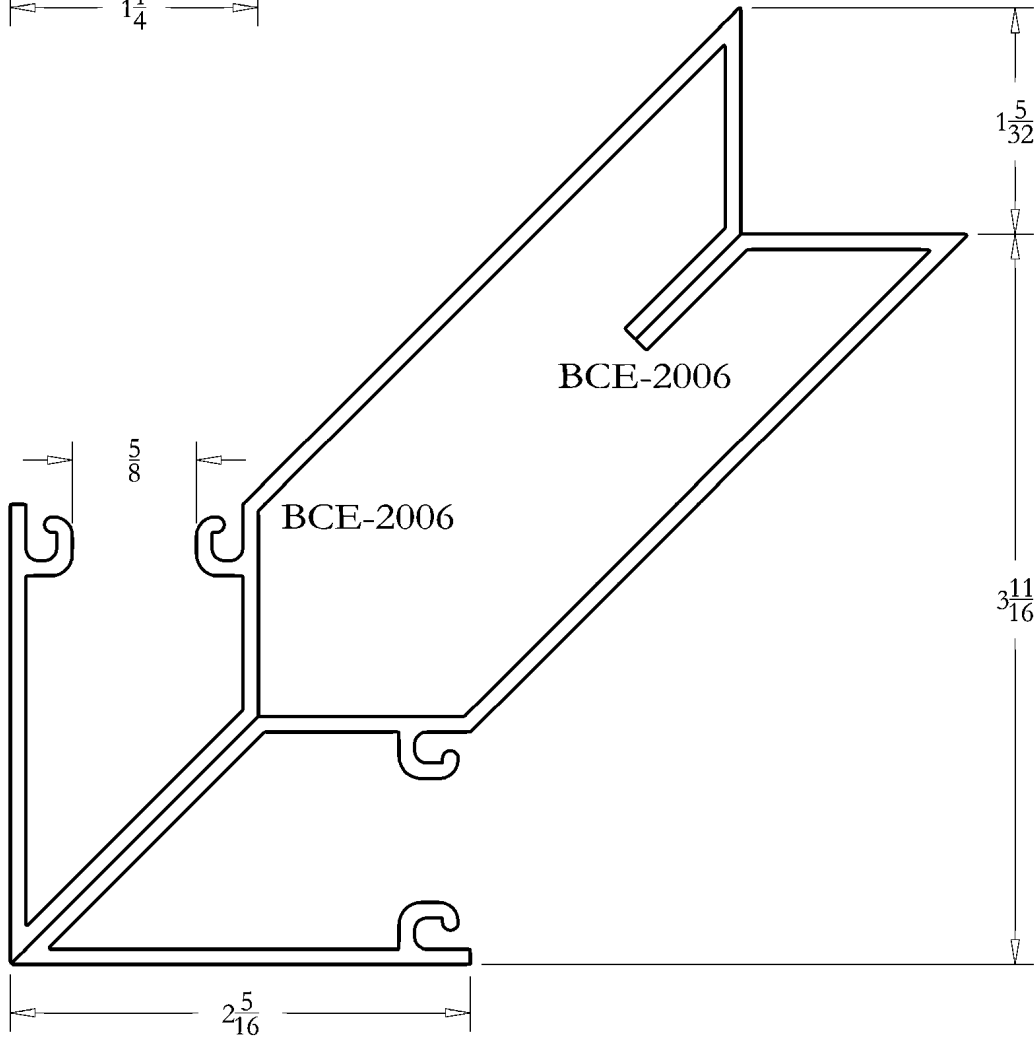
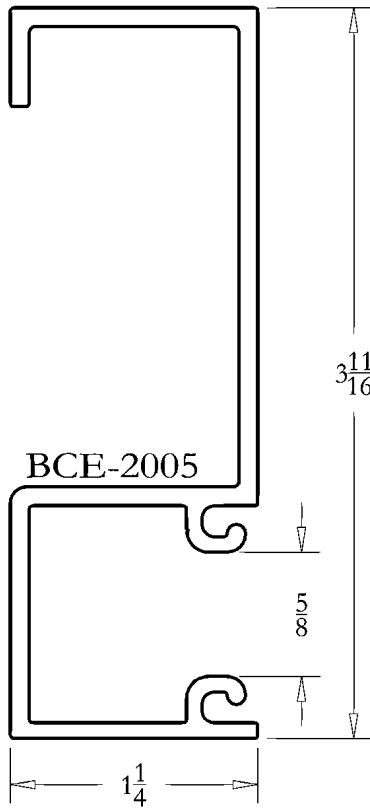
#1 THESE WINDLOAD CHARTS ARE BASED UPON THE LESSER OF DEFLECTION RATIO ($L/175$) OR STRESS (12667)

#2 THESE STRUCTURAL CURVES ARE ESTIMATES AND ARE PRESENTED TO THE BEST KNOWLEDGE OF THE WILLIAM L BONNELL CO. IT IS, HOWEVER, THE RESPONSIBILITY OF THE CUSTOMER TO BE SATISFIED THAT THE CURVES ARE CORRECT. THE WILLIAM L BONNELL CO. MAY NOT BE HELD RESPONSIBLE IN ANY WAY FOR THE FAILURE OF PERFORMANCE RESULTING FROM THE USE OF THESE CURVES.

DETAIL SHEET
3 11/16" CAN SYSTEM
BCE-2000



FULL SIZE DETAILS



FULL SIZE DETAILS

